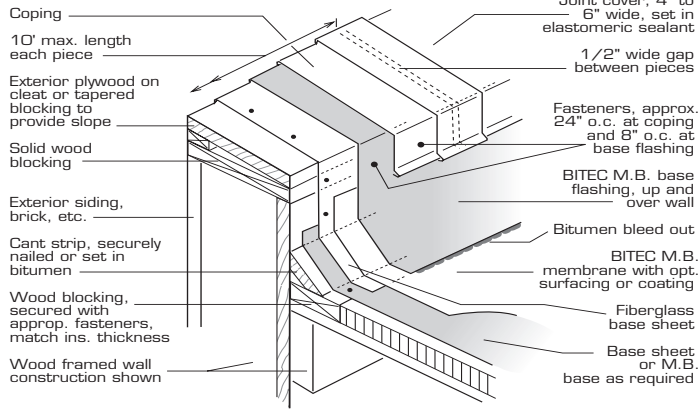


# SFM-3.5H-FR

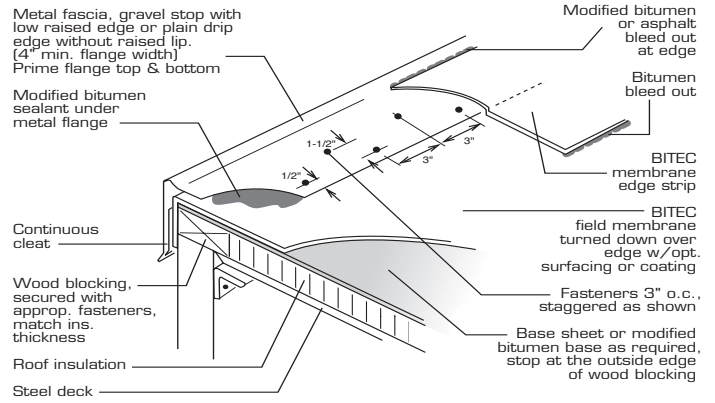
## DETAILS



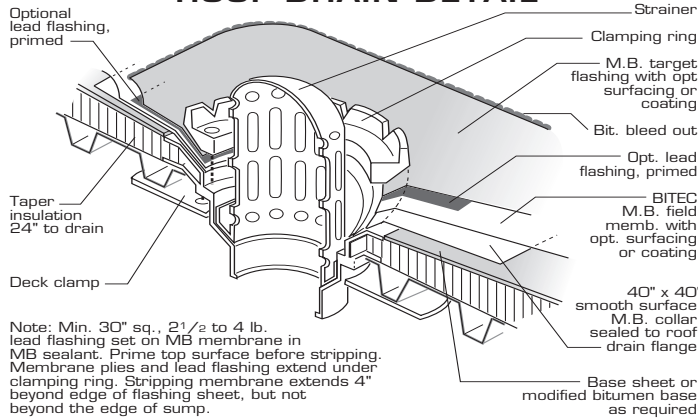
### PARAPET WALL DETAIL



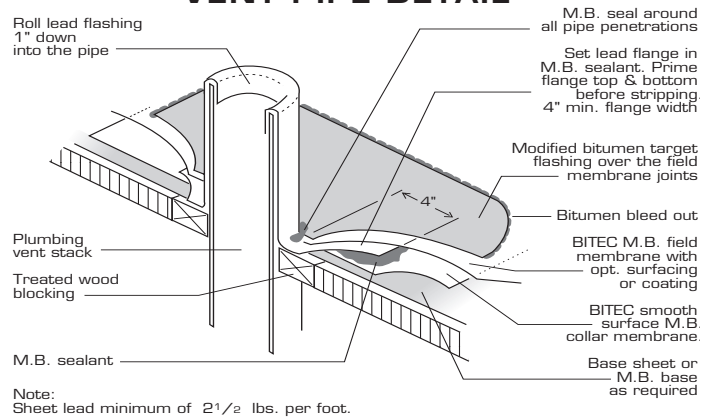
### EDGE DETAIL



### ROOF DRAIN DETAIL



### VENT PIPE DETAIL



**Bitec, Inc.**  
 P.O. Box 497  
 No. 2 Industrial Park Dr.  
 Morrilton, AR 72110  
 Phone: 1-800-535-8597  
 Fax: 501-354-3019  
[www.bi-tec.com](http://www.bi-tec.com)